



DAVEY

ProMaster®



Model Number:
PM200BT, PM400BT



RESIDENTIAL



POOL PUMP

INNOVATIVE POOL PUMP WITH BLUETOOTH®

APPLICATION


Ideal for pool filtration, in-floor pool cleaning systems, connection to external pool controllers, heat pumps and gas heaters. Suitable for pools up to 140,000 litres.

HIGH EFFICIENCY, SUPER QUIET, WATER COOLED DESIGN

- **Bluetooth** enabled to allow set and control functionality from your iOS or Android smartphone.
- **Super Quiet** – Designed with a unique water cooled motor which captures noise and vibrations, allowing super quiet operation, rated down to 50dBa. Your neighbours won't even know it's there.
- **Fully Variable Speed Control** – The ProMaster offers the pool owner and operator total control over the speed at which the pump needs to operate, from 1,050rpm to 3,100rpm
- **Programmable boost cycling for every hour of operation**
 - For running the pump at full speed (Boost) for a pre-determined time of operation
 - Improves surface skimming providing for a cleaner pool
 - Ideal for in-floor, pop up, cleaning systems
- **Constant flow/speed compensation**
 - Helps to overcome friction losses experienced as debris builds up in your filter
 - Saves money on energy running costs*
- **Convenient** – Large 4.5 litre leaf basket for long intervals between cleaning
- **Weatherproof RJ45 communication port (PM400BT only)** – For speed adjustment via connection to an external pool controller, gas heater or heat pump
- **Backwash speed cycling technology with auto shut off** – ProMaster is designed with a schedule selectable backwash cycle that runs the pump between a low and high speeds to agitate the filter media, delivering a more effective clean. A 2 minute auto-shut-off ensures the pump is not accidentally left on draining pool water
- **Double insulated to water circuit** – Provided with an Equipotential Bonding Point for AS/NZ 3000 wiring standards

*Running your pump at low speed uses less energy to turnover the same amount of pool water.

DAVEY ProMaster®

Bluetooth smartphone control via iOS or Android app 

Weatherproof RJ45 communication port (PM400BT only)
for communication & connecting to external pool control systems or pool heaters

Large 4.5 litre lint pot provides for longer intervals between cleaning

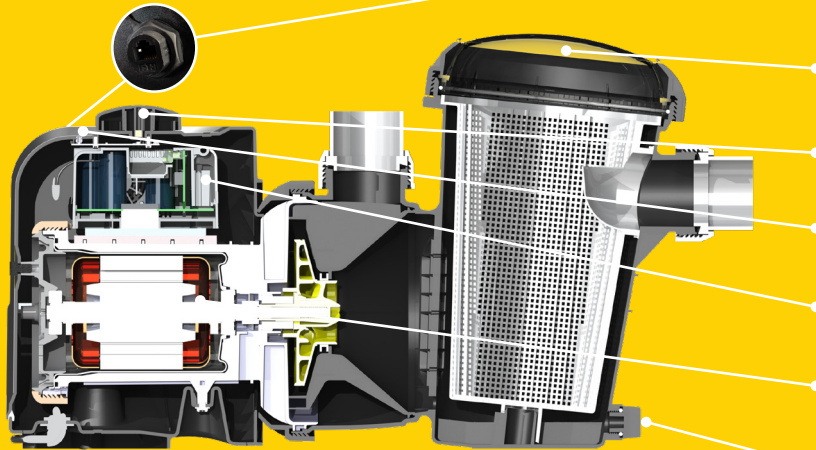
Fully variable frequency drive with user friendly selectable speed dial

Multi-coloured LED indicator light for operating conditions and warnings

Loss of prime protection to protect the pump when there is no water inside the pump

High performance water cooled motor for super quiet, efficient use all year round

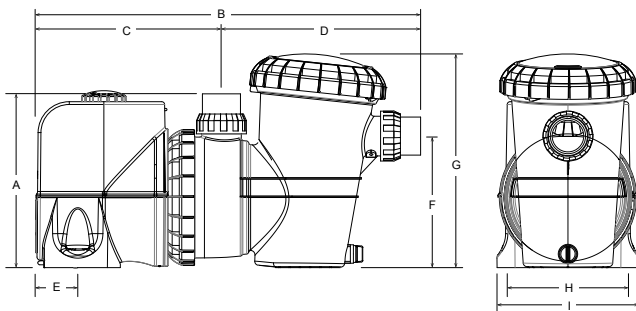
Drain plug enables quick draining of the casing for easy removal and maintenance



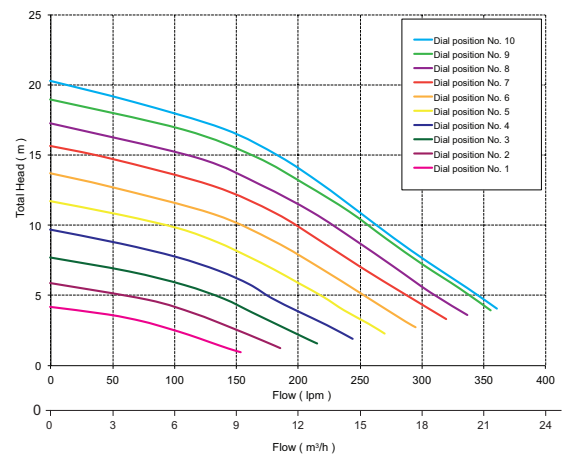
ELECTRICAL DATA	PM200BT	PM400BT
Voltage (VAC)	220-240	
Supply frequency (Hz)	50/60	
Max input power (W/hp)	128W/0.17hp @ Dial 1 524W/0.7hp @ Dial 5 1,111W/1.48hp @ Dial 10	126W/0.17hp @ Dial 1 728W/0.97hp @ Dial 5 1,639W/2.19hp @ Dial 10
Motor speed (rpm)	1,500 to 3,600	1,050 to 3,100
Backwash (rpm)	Variable speed	
Enclosure class (IP)	45	
Insulation class	F	
Power lead length	3m	
Approval No.	SGS-150025-EA	

OPERATING LIMITS	Max. water temperature	Max. ambient temperature
	40°C	50°C

DIMENSIONS (mm)								
A	B	C	D	E	F	G	H	I
305	670	320	350	65	230	380	200	250
Mounting Holes Diameter		Inlet/Outlet PVC			Net Weight (kg)			
10		50			14.5			



PM200BT PERFORMANCE



PM400BT PERFORMANCE

