

PoolQuip

POWER PLUS

PUT SOME ACTION INTO YOUR SPA OR POOL

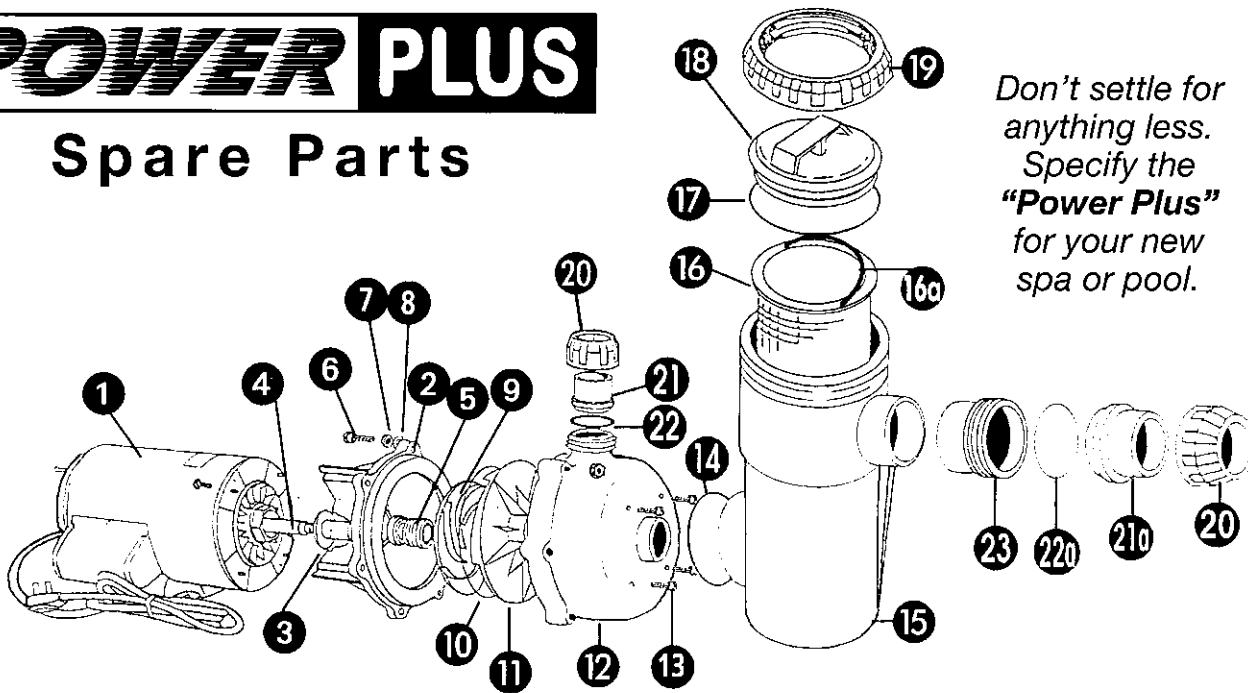


- ~ Super quiet for Spa Pools
- ~ Top flow rates
- ~ Non corrosive construction
- ~ Totally enclosed fan cooled motor
- ~ Power Plus for total action



POWER PLUS

Spare Parts



Don't settle for anything less. Specify the "Power Plus" for your new spa or pool.

- | | | | | | |
|----|------------------------|----|--|-----|-----------------------------|
| 1 | 550 watt .75 HP Motor | 9 | 550 watt .75 HP Motor Enclosed Impellor | 16a | Hair Lint Pot Basket Handle |
| 1a | 750 watt 1.0 HP Motor | 9a | 750 watt 1.0 HP Motor Enclosed Impellor | 17 | Hair Lint Pot Lid O Ring |
| 1b | 1100 watt 1.5 HP Motor | 9b | 1100 watt 1.5 HP Motor Enclosed Impellor | 18 | Hair Lint Pot Lid |
| 2 | Pump Body | 10 | Pump Body O Ring | 19 | Hair Lint Pot Lock Ring |
| 3 | Pump Shroud | 11 | Pump Baffle | 20 | 40mm Lock Ring |
| 4 | Pump Shroud O Ring | 12 | Pump Body | 21 | 40mm Tail |
| 5 | Seal Belt | 13 | Pump to Hair Lint Pot Bolts | 21a | 40mm Swivel Tail |
| 6 | M8 40 Bolt | 14 | Hair Lint Pot Body O Ring | 22 | 40mm O Ring |
| 7 | M8 Nut | 15 | Hair Lint Pot Body | 22a | 40mm Swivel O Ring |
| 8 | M8 Washer | 16 | Hair Lint Pot Basket | 23 | 50mm Tail |

PUMP DATA:

Standard Units – Single Phase. 230 volts 50 cycles continuous rating.

Power Range:

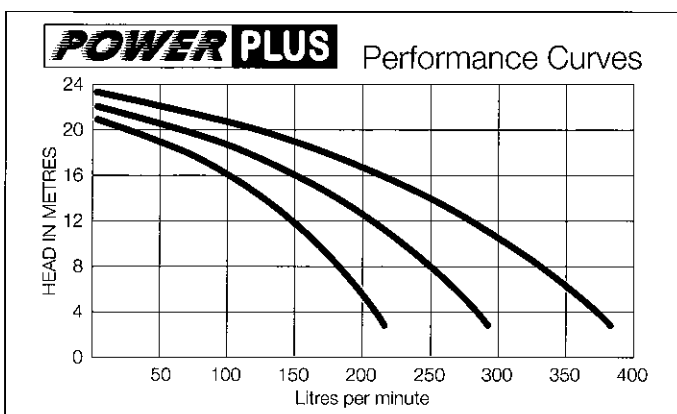
560w, 750w, 1100w.

Construction:

Injection moulded GF /ABS and GF/Polypropylene. Stainless steel fasteners.

Inlet/Outlet:

40mm barrel unions. Totally enclosed motor. None corrosive, all parts are injection moulded.



AUTHORISED DEALER