



FM-SPH PUMP

STRONG, RELIABLE PERFORMANCE



Engineered and built for pool professionals

- 1) Asynchronous, two pole motor
- 2) Class insulation 155(F)
- 3) Thermal and over current protection
- 4) Pump casing ABS + glass fiber, Impeller PPO, Strainer basket and base in PP + glass fiber
- 5) Motor shaft - SS316, Seals bellows - EPDM, stationary face - SIC, rotating face - Graphite, Spring - SS316
- 6) Self-Priming up to 3.3m above water level
- 7) Testing pressure 50 PSI (3.5 Bar)
- 8) Basket Volume 2 litres

40



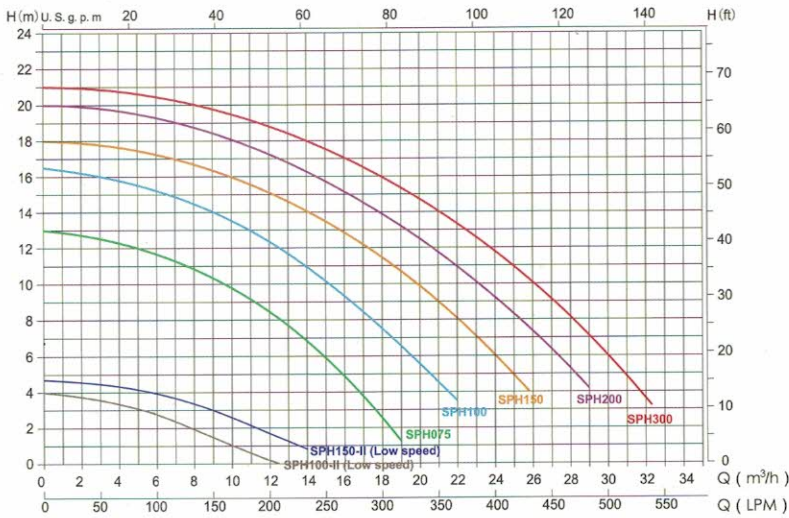
45 - 47 Paul Matthews Road, Albany Auckland New Zealand

Phone: (09) 4151499 Email: filtermaster@xtra.co.nz

Web: www.filtermaster.co.nz

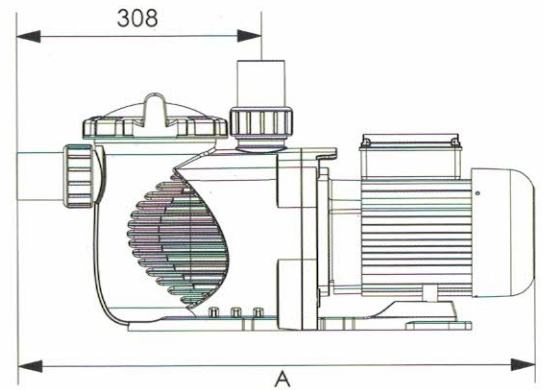
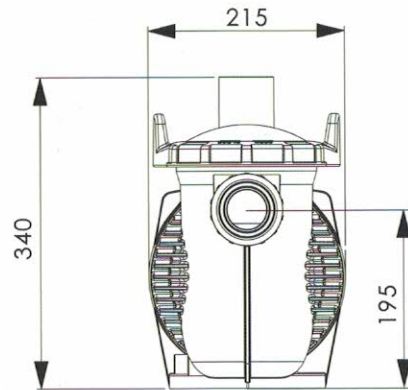
FULLY NEW ZEALAND OWNED AND OPERATED

Technical Information



Model 50Hz	Input (kW)	Current (AMP)	Noise (dB)	Head (m)					
				6	8	10	12	14	16
SPH075	0.75	3.5	65	15	12.5	9.5	5	--	--
SPH100	1.10	5	65	19.5	17.5	15.2	12.5	9	3
SPH150	1.50	6.8	67	24	22	19.9	17.5	14	10
SPH200	1.80	8.2	67	27.5	25.5	23	21.7	18	14.5
SPH300	2.20	10	68	30	28.5	26	23.8	21	18

Product Dimension



Code 220V/50Hz	Code 220V/60Hz	Model	Connection Size	Horsepower	Weight(kg)	Capacitance 220V	A (mm)
88029604	88029704	SPH075	1.5"(50mm)ID / 2"(63mm)OD	0.75hp	13.6	20µF	652
88029605	88029705	SPH100	1.5"(50mm)ID / 2"(63mm)OD	1.0hp	13.8	25 µF	652
88029607	88029707	SPH150	1.5"(50mm)ID / 2"(63mm)OD	1.5hp	14.0	25 µF	652
88029608	88029708	SPH200	1.5"(50mm)ID / 2"(63mm)OD	2.0hp	14.2	30 µF	652
88029609	88029709	SPH300	1.5"(50mm)ID / 2"(63mm)OD	3.0hp	14.5	35 µF	682



Filtermaster warranty on this product.
All parts 2 years.
Infield Labour cost (if applicable). 1 year



45 - 47 Paul Matthews Road, Albany Auckland New Zealand

Phone:(09) 4151499 Email: filtermaster@xtra.co.nz

Web: www.filtermaster.co.nz

FULLY NEW ZEALAND OWNED AND OPERATED